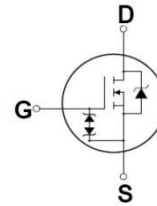
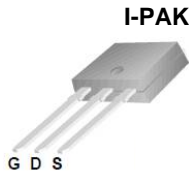


**Features**

- Low gate charge
- 100% avalanche tested
- Improved dv/dt capability
- RoHS compliant
- Halogen free package
- JEDEC Qualification
- Improved ESD performance

$BV_{DSS}$	$I_D$	$R_{DS(on)}$
500V	4.5A	< 1.5Ω



Device	Package	Marking	Remark
GP2M005A050CG	D-PAK	GP2M005A050CG	RoHS
GP2M005A050PG	I-PAK	GP2M005A050PG	RoHS

**Absolute Maximum Ratings**

Parameter	Symbol	Value	Unit	
Drain-Source Voltage	$V_{DSS}$	500	V	
Gate-Source Voltage	$V_{GS}$	±30	V	
Continuous Drain Current	$I_D$	$T_C = 25\text{ °C}$	4.5	A
		$T_C = 100\text{ °C}$	3.27	A
Pulsed Drain Current (Note 1)	$I_{DM}$	18	A	
Single Pulse Avalanche Energy (Note 2)	$E_{AS}$	254	mJ	
Repetitive Avalanche Current (Note 1)	$I_{AR}$	4.5	A	
Repetitive Avalanche Energy (Note 1)	$E_{AR}$	9.84	mJ	
Power Dissipation	$P_D$	$T_C = 25\text{ °C}$	98.4	W
		Derate above 25 °C	0.78	W/°C
Peak Diode Recovery dv/dt (Note 3)	dv/dt	4.5	V/ns	
Operating Junction and Storage Temperature Range	$T_J, T_{STG}$	-55~150	°C	
Maximum lead temperature for soldering purposes, 1/8" from case for 5 seconds	$T_L$	300	°C	

\* Limited only by maximum junction temperature

**Thermal Characteristics**

Parameter	Symbol	Value	Unit
Maximum Thermal resistance, Junction-to-Case	$R_{\theta JC}$	1.27	°C/W
Maximum Thermal resistance, Junction-to-Ambient	$R_{\theta JA}$	110	°C/W

**Electrical Characteristics :  $T_C=25^\circ\text{C}$ , unless otherwise noted**

Parameter	Symbol	Test condition	Min	Typ	Max	Units
<b>OFF</b>						
Drain-Source Breakdown Voltage	$BV_{DSS}$	$V_{GS} = 0\text{ V}, I_D = 250\ \mu\text{A}$	500	--	--	V
Zero Gate Voltage Drain Current	$I_{DSS}$	$V_{DS} = 500\text{ V}, V_{GS} = 0\text{ V}$	--	--	1	$\mu\text{A}$
		$V_{DS} = 400\text{ V}, T_C = 125^\circ\text{C}$	--	--	10	$\mu\text{A}$
Forward Gate-Source Leakage Current	$I_{GSSF}$	$V_{GS} = 30\text{ V}, V_{DS} = 0\text{ V}$	--	--	100	$\mu\text{A}$
Reverse Gate-Source Leakage Current	$I_{GSSR}$	$V_{GS} = -30\text{ V}, V_{DS} = 0\text{ V}$	--	--	-100	$\mu\text{A}$

**ON**

Gate Threshold Voltage	$V_{GS(th)}$	$V_{DS} = V_{GS}, I_D = 250\ \mu\text{A}$	3	--	5	V
Drain-Source On-Resistance	$R_{DS(on)}$	$V_{GS} = 10\text{ V}, I_D = 2.25\text{ A}$	--	1.2	1.5	$\Omega$
Forward Transconductance <sup>(Note 4)</sup>	$g_{FS}$	$V_{DS} = 30\text{ V}, I_D = 2.25\text{ A}$	--	6	--	S

**DYNAMIC**

Input Capacitance	$C_{iss}$	$V_{DS} = 25\text{ V}, V_{GS} = 0\text{ V},$ $f = 1.0\text{ MHz}$	--	645	--	pF
Output Capacitance	$C_{oss}$		--	78	--	pF
Reverse Transfer Capacitance	$C_{rss}$		--	11	--	pF

**SWITCHING**

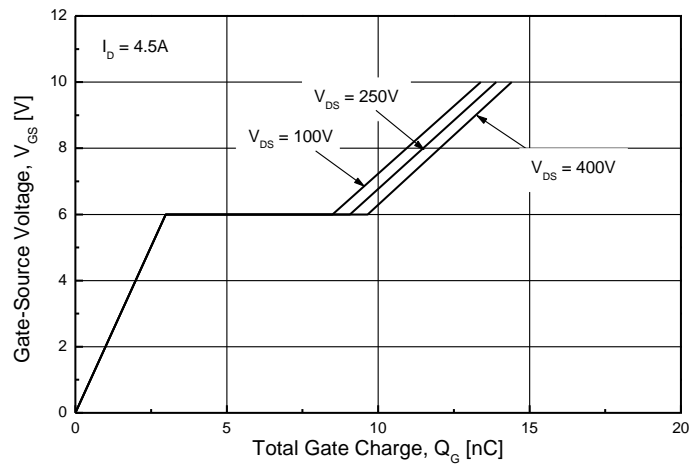
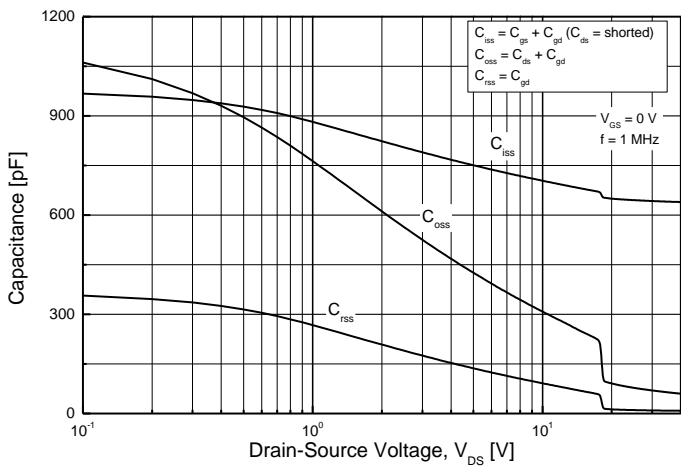
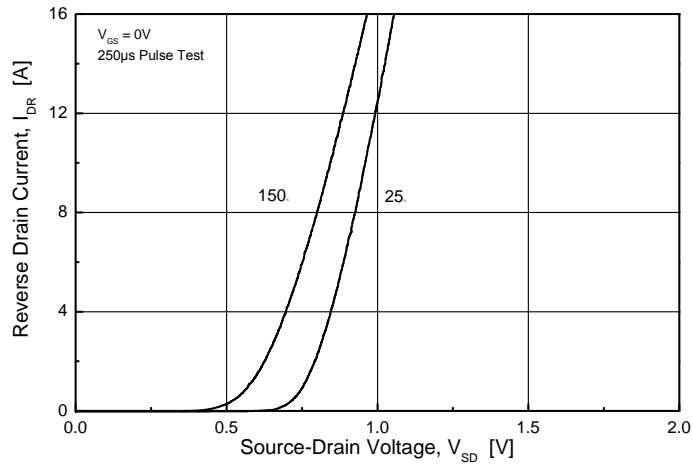
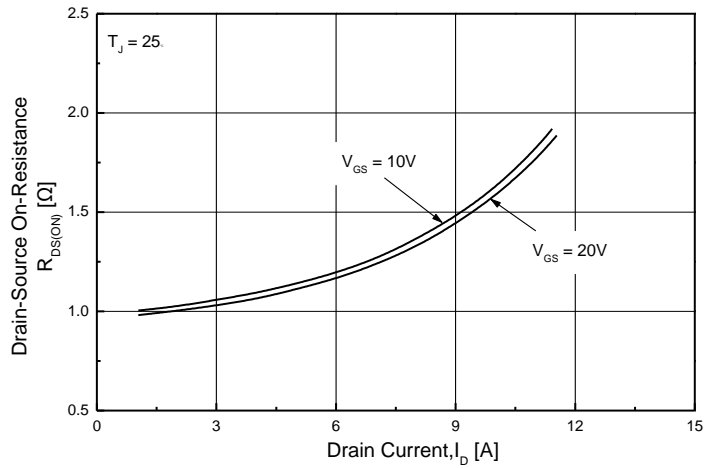
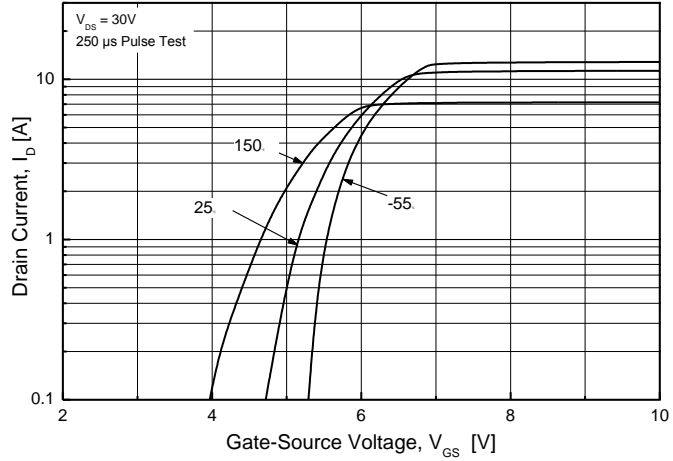
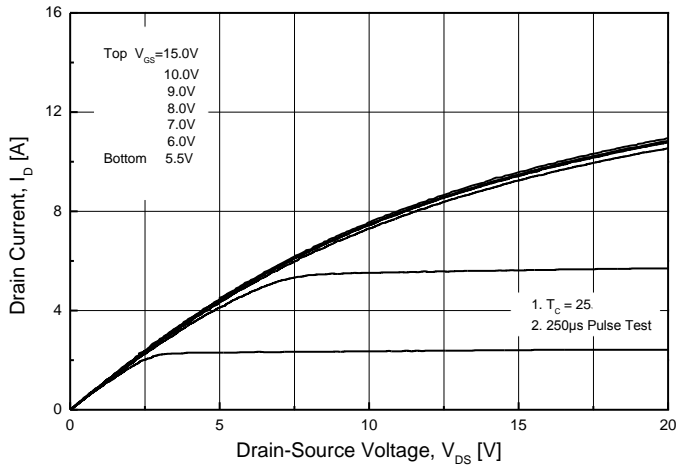
Turn-On Delay Time <sup>(Note 4,5)</sup>	$t_{d(on)}$	$V_{DD} = 250\text{ V}, I_D = 4.5\text{ A},$ $R_G = 25\ \Omega$	--	19	--	ns
Turn-On Rise Time <sup>(Note 4,5)</sup>	$t_r$		--	28	--	ns
Turn-Off Delay Time <sup>(Note 4,5)</sup>	$t_{d(off)}$		--	49	--	ns
Turn-Off Fall Time <sup>(Note 4,5)</sup>	$t_f$		--	19	--	ns
Total Gate Charge <sup>(Note 4,5)</sup>	$Q_g$	$V_{DS} = 400\text{ V}, I_D = 4.5\text{ A},$ $V_{GS} = 10\text{ V}$	--	15	--	nC
Gate-Source Charge <sup>(Note 4,5)</sup>	$Q_{gs}$		--	3	--	nC
Gate-Drain Charge <sup>(Note 4,5)</sup>	$Q_{gd}$		--	7	--	nC

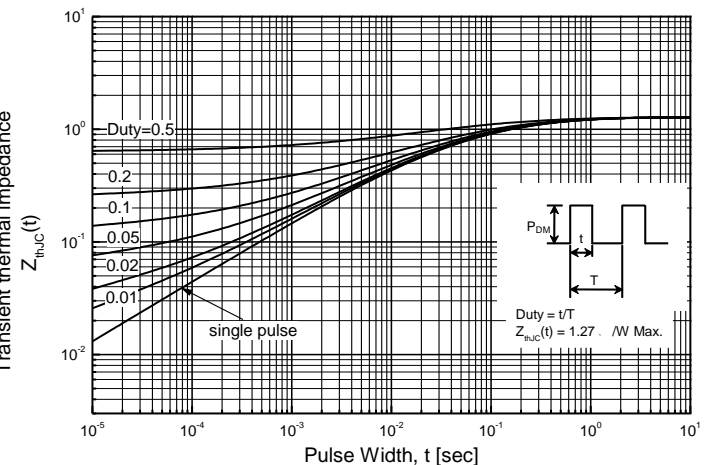
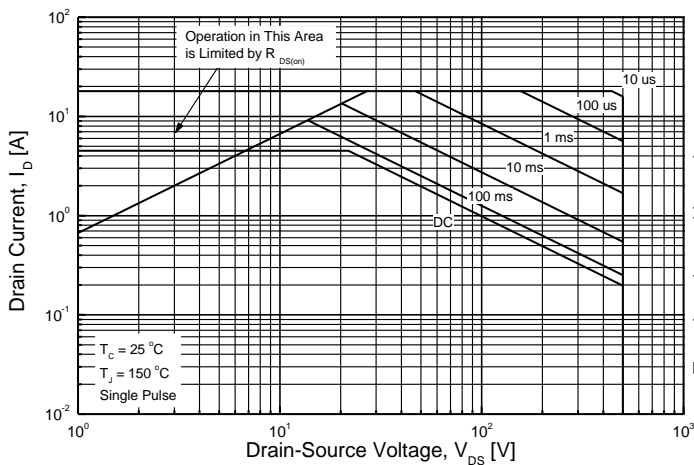
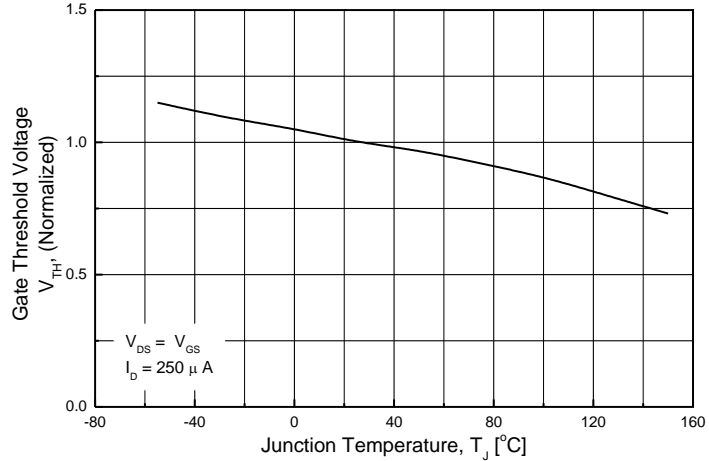
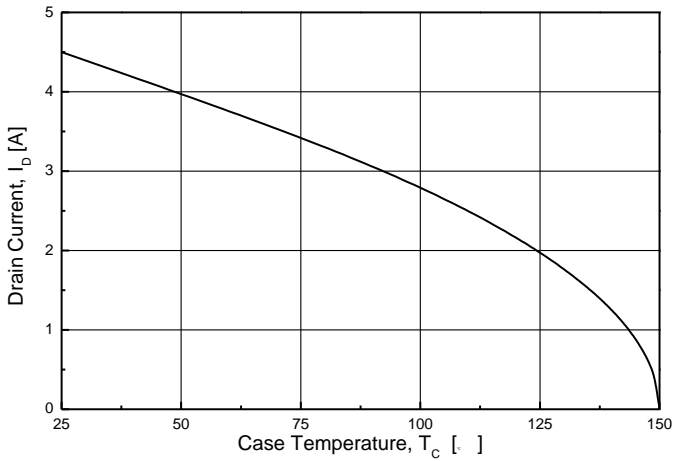
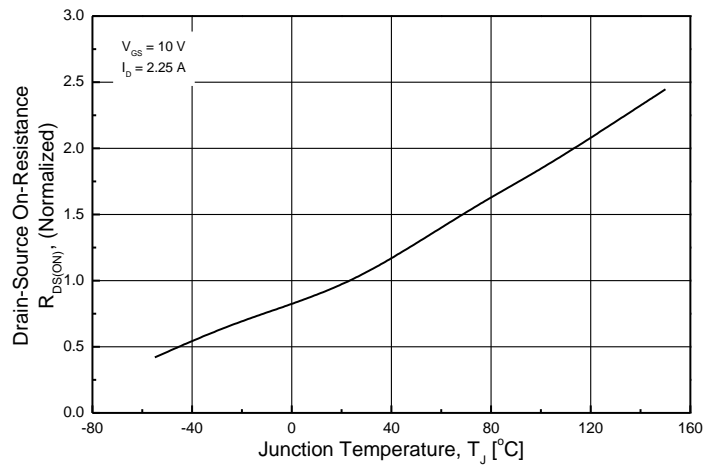
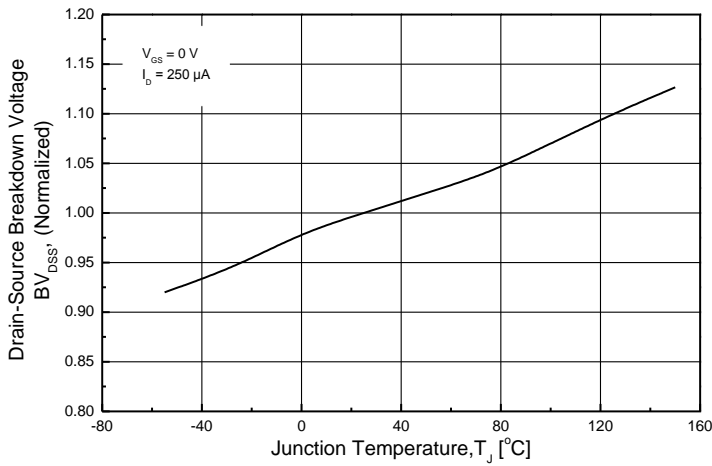
**SOURCE DRAIN DIODE**

Maximum Continuous Drain-Source Diode Forward Current	$I_S$	----	--	--	4.5	A
Maximum Pulsed Drain-Source Diode Forward Current	$I_{SM}$	----	--	--	18	A
Drain-Source Diode Forward Voltage	$V_{SD}$	$V_{GS} = 0\text{ V}, I_S = 4.5\text{ A}$	--	--	1.5	V
Reverse Recovery Time <sup>(Note 4)</sup>	$t_{rr}$	$V_{GS} = 0\text{ V}, I_S = 4.5\text{ A}$ $di_F / dt = 100\text{ A}/\mu\text{s}$	--	260	--	ns
Reverse Recovery Charge <sup>(Note 4)</sup>	$Q_{rr}$		--	1.4	--	$\mu\text{C}$

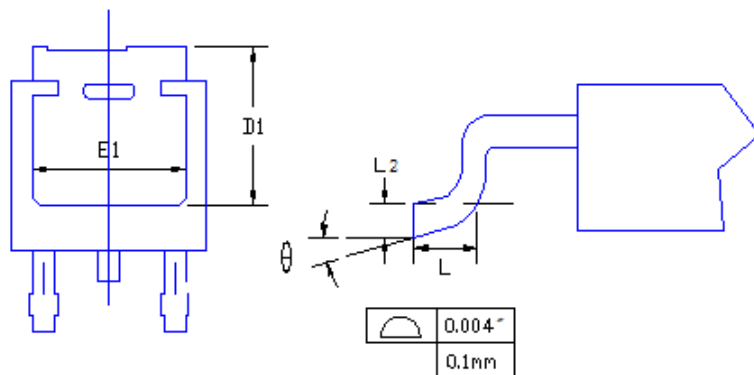
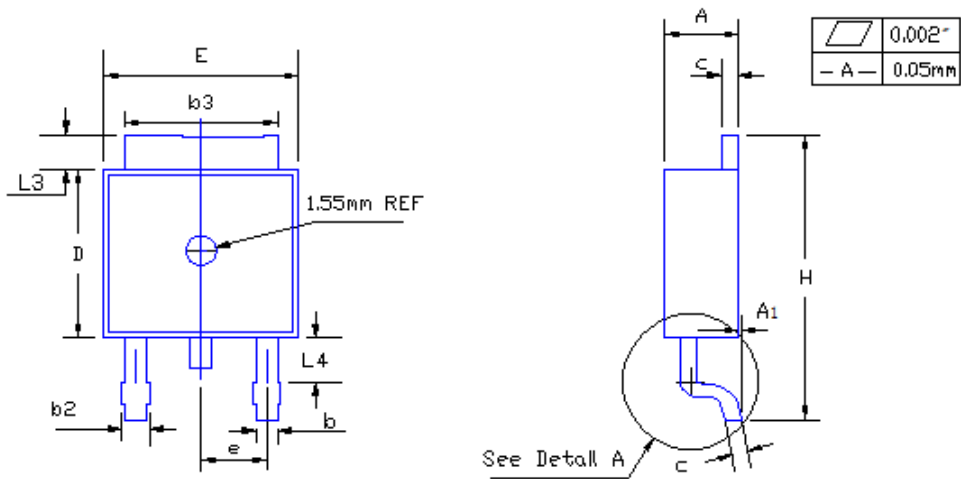
Note :

1. Repeated rating : Pulse width limited by safe operating area
2.  $L=22.6\text{mH}, I_{AS} = 4.5\text{A}, V_{DD} = 50\text{V}, R_G = 25\ \Omega$ , Starting  $T_J = 25^\circ\text{C}$
3.  $I_{SD} \leq 4.5\text{A}, di/dt \leq 200\text{A}/\mu\text{s}, V_{DD} \leq BV_{DS}$ , Starting  $T_J = 25^\circ\text{C}$
4. Pulse Test : Pulse width  $\leq 300\ \mu\text{s}$ , Duty Cycle  $\leq 2\%$
5. Essentially Independent of Operating Temperature Typical Characteristics



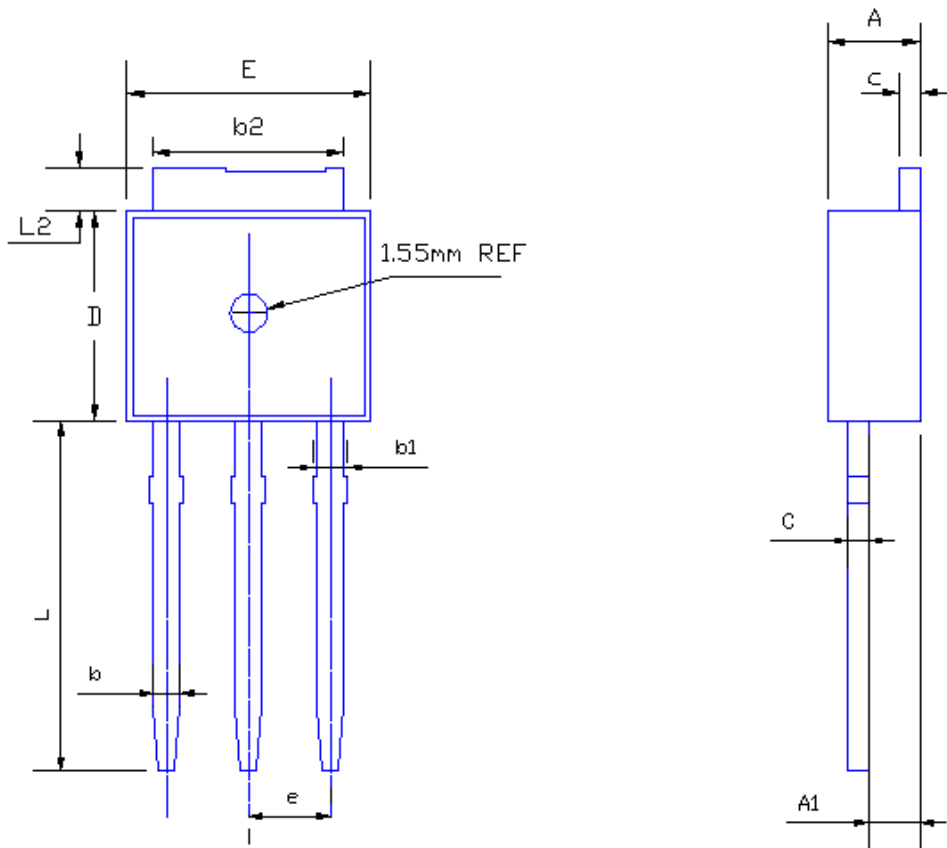


**TO-252 (D-PAK) MECHANICAL DATA**



SYMBOL	MILLIMETERS	
	MIN	MAX
A	2.19	2.38
A1	—	0.13
b	0.64	0.89
b2	0.84	1.14
b3	5.21	5.46
c	0.46	0.61
D	5.97	6.22
D1	5.21	—
E	6.35	6.73
E1	4.83	—
e	2.29BSC	
H	9.65	10.41
L	1.40	1.78
L2	0.51BSC	
L3	0.89	1.27
L4	0.64	1.01
$\phi$	0	8

## TO-251 (I-PAK) MECHANICAL DATA



SYMBOL	MILLIMETERS	
	MIN	MAX
A	2.19	2.38
A1	1.04	1.23
b	0.64	0.89
b1	0.84	1.14
b2	5.23	5.48
c	0.46	0.61
D	5.91	6.28
E	6.21	6.59
e	2.28 TYP	
L	8.89	9.65
L2	0.89	1.27

### Disclaimer :

Global Power Technologies Group reserves the right to make changes without notice to products herein to improve reliability, performance, or design. The information given in this document is believed to be accurate and reliable. However, it shall in no event be regarded as a guarantee of conditions and characteristics. With respect to any information regarding the application of the device, Global Power Technologies Group hereby disclaims any and all warranties and liabilities of any kind, including without limitation, warranties of non-infringement of patent rights of any third party.